



BARG News

Ballarat Amateur Radio Group

Inc. #6953T

April

Monthly Newsletter

Next Meeting

Thursday 25th March 2016 @ 7.30pm

At the B.A.R.G. Club House, Ballarat Airport

All Welcome



Contacting us

You can write to the club at the address below, or e-mail the secretary

The Secretary : B.A.R.G. Inc.
Box 1261
Mail Centre
Ballarat. Vic. 3354

Or E-Mail : vk3bml@barg.org.au

We're on the web
www.barg.org.au

Presidents Report

Hi All,

They are telling us that summer is over I wonder about that, our gardens are hoping that its true. Whilst typing this report some of our members are busy with the John Moyle here's hoping that they do well.

Don't forget to look at the contents of the shack and any unwanted item's are welcome for our annual George Fowler auction in May.

Dedicated members have been putting the time into finalising the remote project it is now very close to being a reality I am sure we will be very proud of the achievement of our members of this project with it up and running.

Don't forget our next meeting because of Easter will be held on the Thursday instead of Friday (24-03-2016)

This is a very short report, sorry about that. All the best and anyone travelling over Easter travel safely.

Hoping to see you on this date.

Doug Raper - From the desk of President Doug vk3vba

VHF and Above for March 2016

With the Summer period now over there has been a noticeable change in propagation however there are still some events that keeps one's enthusiasm going.

With some good tropo propagation some good contacts have been had in the East/West directions particularly into Gippsland which is often difficult from the Ballarat area.

The morning group on 2mx continues with openings into Mt Gambier and Adelaide with many stations taking part. Stations include VK3PMG, VK3AIG, VK3KG, VK3ARM, VK3VBI, VK3EJ, VK3LY, VK5TN, VK5DK, VK5JR and VK5PJ. The stations are located in Western Victoria, Cobram, Adelaide and Mt Gambier. We often hear Stan VK3BNJ from Melton who puts in a good signal.

Both VK3AIG and VK3AXH also have contacts on 432 into Mt Gambier and to VK3VBI in Caramut, Western Victoria. VK3AXH has also had good contacts into Mt Gambier on 1296Mhz and 2403Mhz with signals in excess of S9 on both bands over a distance of 275km.

The 3.4G project is gathering some momentum with VK3KG, VK3AIG and VK3AXH at the completion stage with VK3BNC, VK3CAP, VK3KQT and VK3ALM all having panels and at various stages in the modifications to change them from the original wifi operation into our part of the 3.4G amateur band.

Another field test day is scheduled for May so it's hoped that most will be operational by then.

The John Moyle Field Day contest is scheduled for March 19th/20th. A suggested HF portable station using VK3BML could be setup near the clubrooms on the Saturday to encourage portable operation whilst VHF and above could be setup at either Mt Hollowback or Mt Buninyong covering 6m through to 10GHz. All this would be subject to weather conditions. If you are interested let us know.

Till next time 73, *Ian*, VK3AXH

A Word From The Editor

Welcome to the April newsletter. It's been a busy month in radio for myself. For a long time now I've been threatening to actually activate some some SOTA peaks, so last weekend I finally climbed and activated VK3/VC-032. VC-032 is a fairly nondescript peak in the Wombat state forest and a perfect place to start off. I was able to drive to the activation zone, then walk out and back in. The only trap was that the access road runs along a ridge line, so it took longer than expected to walk down 25 vertical meters and out of the activation zone.

Once on air I tuned to 7.090, a typical SOTA frequency, to hear fellow club member and active SOTA goat, Allen, ARH, on a nearby peak. A call out was quickly responded to with the surprised response from Allen, "Malcolm's on HF!". Clearly I need to get on air a bit more. A further 18 contacts were made to complete the activation. It was all good fun and I'm keen to get out and do more.



Later in the week I came home to an envelope from the US containing a QSL card from Bill, KE7LIX. As ARH observed, I've not spent much time on HF and not made many international contacts, which is where most QSL card activity comes from. So this was the first QSL card I've had. As it happens, the contact with KE7LIX was via Echolink and local repeater VK3RWA. Still it was a buzz to get it.

Craig, VK3KG, contacted me to say that as he's not been able to get into the meetings of late so he's not been getting first access to the various magazines, in particular QST. So he's not been able to write a review for the newsletter. Of more concern though, the magazines are being borrowed with out being entered into the loan book, and in some cases are not coming back. Can all members please remember to write in the loan book when they borrow anything from the club!

When a any of the magazines are first borrowed they need to be stamped with the club stamp, which is in the library. This helps remind us that the book or magazine is a club item and needs to come back so other members can get some use from the club library.

As always, if your out and about, or making up a new "jigger", how about a few words and a picture to share in the news letter.

Until next month.

Malcolm

VK3MEL

Vale Clem VK3BVI

Clem Vk3BVI passed away last Saturday, 19th March. Clem was a long term active member of the club. He'd held many roles over the years and was active on air.

His funeral will be a graveside service, next Thursday (day before Good Friday) at 2 pm, at the Blanket Flat Cemetery, Cemetery Road, Eganstown Vic. The Ballarat side of Daylesford.

Radios For Sale

Hi, we have two radios up for tender both are in working condition, we are looking for persons of interest to submit tenders on both or separate tender.

They can be inspected at our club rooms on meeting nights or at any other time convenient to myself or any committee member.

The highest bidder will be the successful tender.

The radios are as follows.....one only Yaesu hand held model FT-50R uhf...vhf.



One only Kenwood 830s HF.



Tenders close 25th of March at 8-30 pm.

Please contact myself, Doug Raper on 53323565 or dougr@ncable.net.au.

Or any other committee member.

(* The pictures here are of the same model, not the actual radios)

All the best.

* * * * *

Silicon Chip February 2016

- P14 Defibrillators Save Lives
- P20 Micromite LCD Backpack With Touch Screen Display
- P30 Solar MPPT Charger & Lighting Controller Pt 1
- P54 Raspberry Pi Temperature / Humidity / Pressure Monitor Pt2
- P62 Crowd Funding: Kickstarter & “The Joey”
- P74 Valve Stereo Pre-amplifier for HiFi Systems Pt2
- P78 Review: Keithley's 2460 Source-meter



Plus the regular columns and adverts.



Wiltronics Research Pty. Ltd. ABN 26 052 173 154

Unit 4 Cnr Ring Rd & Sturt St, Ballarat Victoria, 3350

Postal Address: P.O Box 4043, Alfredton 3350

Ph: 03 5334 2513 | Fax: 03 5334 1845

Email: sales@wiltronics.com.au

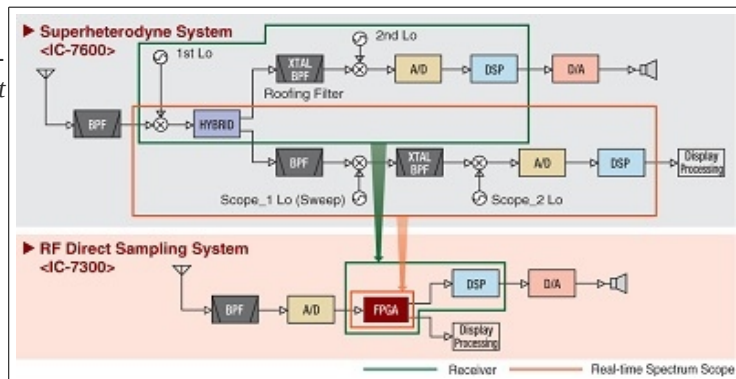
www.wiltronics.com.au

Round The Web

ICOM Release IC-7300

Icom's new IC-7300 is coming available from the local dealers at the end of March. Coming in at slightly less than \$1800Au this becoming a crowded price range. The 7300 is advertised as the first HF radio with a an RF direct sampling system in place of a traditional super heterodyne.

New technology is changing the way receivers are being designed and the IC-7300 is an industry first as an RF, Direct Sampling System is being used in an entry level HF radio. The ability to digitize RF before various receiver stages reduces the inherent noise that is generated in the different IF stages of a radio. We feel the performance of the '7300 will far exceed your expectations for a radio considered entry level.



It'll be interesting to see some user reports once they actually arrive and get on the air. Is this technology going to take over the commercial radio market?

<http://www.icomamerica.com/en/products/amateur/hf/7300/default.aspx>

Reintroduction of CW by ACMA

Reports are coming out that the ACMA has planned to reintroduce the requirement for CW for advanced and standard licenses. They're well aware that this will be controversial and not welcomed, so it's been kept under wraps, even from most within the WIA. It seems that a slip by the web site administrators has let the cat out of the bag though:

<http://www.acma.gov.au/Industry/Spectrum/Radiocomms-licensing/Apparatus-licences/amateur-apparatus-licence-information-paper#Updated-CW-requirements>

What's not described there is the time frame. Reports from an ACMA contact familiar with the matter, who did not want to be named, explained that the the changes will be retrospective with CW exams needing to be passed to retain the current license grade. A fail will mean dropping back to foundation level. Exam's for two letter calls are to be scheduled first, quickly followed by advanced and lastly standard licensees.



Apparently the only real issue for the ACMA is finding enough examiners. A quick Google shows some evidence that they're actively looking :

http://www.seek.com.au/job/10522937?pos=1&type=premium&engineConfig=&userqueryid=4300147204795746&tier=no_tier&whereid=

Public announcement is set for the start of April. I'm sure there'll be a lot more discussion on this topic once the exam invites start coming out.

Round The Web

Raspberry Pi QRP TX Shield for WSPR on 20 Meters

Raspberry Pi has been a popular little board for many amateurs over the last few years. With a capable processor and real world I/O, it's not that hard to utilise it for tasks such as WSPR. Whilst the board can pump out an RF frequency signal, it'd be pretty rough. This little add on board is designed to clean such a signal up.

Nowadays, one of the most impressive QRP modes is Joe Taylor, K1JT's WSPR (pronounced "whisper") mode. WSPR stands for "Weak Signal Propagation Reporter." Programs written for WSPR mode are designed for sending and receiving low-power transmissions to test propagation paths on the MF, HF and recently, UHF bands. Users with Internet access can watch results in real time at wsprnet.org.



The QRPi board (or shield as referred by the community today) is an inexpensive way of turning a Raspberry Pi single-board computer into a QRP transmitter.

Just \$29 for members of TARP, or \$29 for non members.
(They know how to look after their members!)

<http://rfsparkling.com/qрпи/> https://www.tapr.org/kits_20M-wspr-pi.html

* * * * *

A very cranky woman was arrested for shoplifting at a grocery store. She gave everyone a hard time, from the store manager to the security guard to the arresting officer who took her away.

She complained and criticised everything and everyone throughout the process. When she appeared before the judge, the judge asked her what she had stolen from the store.

The lady defiantly replied, "Just a stupid can of peaches."

The judge then asked why she had done it.

She replied, "I was hungry and forgot to bring any cash to the store."

The judge asked how many peaches were in the can.

She replied in a nasty tone, "Nine! But why do you care about that?"

The judge answered patiently, "Well, ma'am, because I'm going to give you nine days in jail -- one day for each peach."

As the judge was about to drop his gavel, the lady's long-suffering husband raised his hand slowly and asked if he might speak.

The judge said, "Yes sir, what do you have to add?"

The husband said meekly, "Your Honour, she also stole a can of peas."

Salgoud

Silicon Chip MARCH 2016

- P1 Contents
- P2 Publishers Letters
- P4 Mailbag
- P14 A look at Quantum Computers
- P24 Macroscopic Entanglement at Room Temperature
- P26 Ultrasonic Garage Parking Assistant
- P34 1-Wire Digital Temperature Sensor For The Raspberry Pi
- P38 Delta Throttle Timer For Cars
- P53 Product Showcase
- P54 Serviceman's Log
- P60 Solar MPPT Charger & Lighting Controller Part 2
- P67 Circuit Notebook
- P72 Battery Pack Cell Balancer For Optimum Charging
- P80 Save Money By Replacing Batteries in Emergency Lights
- P82 Vintage Radio
- P88 SC Online Shop
- P90 Ask Silicon Chip



As always full of great adverts and pictures of gear we are familiar with and some other unknown items.

73 Craig - VK3KG.

QST February 2016

- P30 Understanding controlled envelope single sideband
- P37 Radiowave propagation: How waves attenuate with distance
- P41 Meter bands and megahertz – Why we use both
- P43 An introduction to coax cable for RF applications
- P47 Done in one: Software oscilloscopes
- P70 An aerial foxhunt
- P73 National Parks on the air
- P75 A grid expedition to DM02
- P78 A hundred kids a day
- P80 Goata SOTA
- P83 Makes the most of 10 meters
- P85 Philip J. McGan memorial silver antenna award
- P93 2015 ARRL 10 Gnz and up contest results



Plus a bunch of regular columns and product reviews.

Training Report

The club ran a special upgrade assessment for two club members recently and both have been successful in their endeavours. One completed his Advanced theory from a Standard and there will be a NEW Advanced call sign on the air in short time. The other member who is a Foundation licence passed his Regulations and will be sitting the Theory paper later this year. I will not name them just yet but offer my congratulations to them both for a job well done.

Some advice for members now. With the recent changes to the ACMA's method of recording licences in their register it would be worthwhile checking your details are recorded correctly and that you are aware of the due renewal date for payment. It would appear that the department does not have to send out a reminder before the date and thus a licence could become cancelled without the member knowing it. The next point is that once you pay the account for renewal you receive a note informing you that it has been paid, BUT you do not receive a copy of a new licence authority like we used to. On this letter you get a summary of [all] licences held, the licence number and the new expiry date[s]

If you want a copy to place in a frame in the shack you have to download a copy from their register at www.acma.gov.au It doesn't say you need to display a copy however it may be best to keep the latest one and this letter as proof of payment.

Final point I would raise is that the ACMA have removed the ability of amateurs to transfer any residual \$\$\$ values from a current licence to a newly passed one. Previously a fee of \$41 would be paid and you cancelled the old licence and took possession of your new upgraded one. The due date of the licence then stayed as for the original licence. Now on upgrading levels you have to pay a NEW licence fee of \$75[currently] and you lose any value in the old licence even though you can still use it till its normal expiry date. However why would you wish to do that with the new licence available.

Once you have held the new licence for twelve months you then renew at the lower rate of \$51. It appears that this will no longer be aligned to inflation and will stay a flat rate. ?

73 Craig
VK3KG

QST March2016

- P30 A shortened 60m dipole that also covers 15 meters
 - P33 Four band UHF contest antenna
 - P37 An efficient 2 meter antenna disguised as a TV Satellite dish
 - P39 A modular 40 meter CW transceiver with VFO
 - P45 A compact multiband dipole
 - P66 160 meter DXCC from west cost city lot
 - P69 The Irish Hurdy Gurdy vintage radio museum
 - P71 National Parks on the Air: March 2016
 - P73 ARRL Teachers institute on wireless technology
 - P74 Changing of the guard: Rick Roderick, K5UR, elected as ARRL's 16th president
 - P84 2015 IARU HF championship results
- Plus all the regular columns and product reviews



Paddy, just moved to Liverpool from Cork , walks into a pub and orders three pints of Guinness. He sits in the back of the room, drinking a sip out of each one in turn. When he finishes them, he comes back to the bar to order three more.

The bartender approaches and tells him, "You know, a pint goes flat after I draw it. It would taste better if you bought one at a time."

Paddy replies, "Well, you see, I have two brothers. One is an accountant the other is a solicitor, both living in London . When we all left our home in Cork , we promised that we'd drink this way to remember the days when we drank together. So I'm drinking one beer for each of my brothers and one for myself."

The bartender admits that this is a nice custom, and leaves it there. Paddy becomes a regular in the pub and always drinks the same way. He orders three pints and drinks them in turn.

One day, he comes in and only orders two. All the regulars take notice and fall silent. When he comes back to the bar for the second round, the bartender says, "I don't want to intrude on your grief, but I wanted to offer my condolences on your loss".

Paddy looks quite puzzled for a moment, then a light dawns in his eyes and he laughs. "Oh, no, everybody's just fine," he explains, "It's just that my wife and I joined the Baptist Church and I had to quit drinking."

"Hasn't affected my brothers though...."

Salgoud